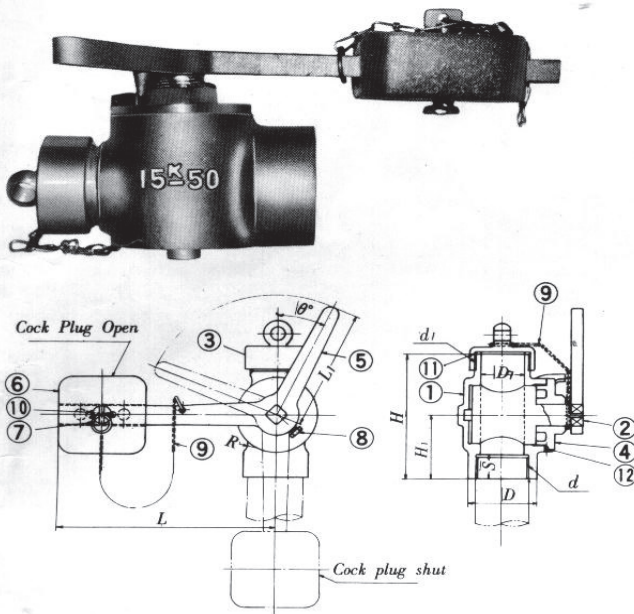


F3018 Self Closing Parallel Cock Heads for Short Sounding Pipe

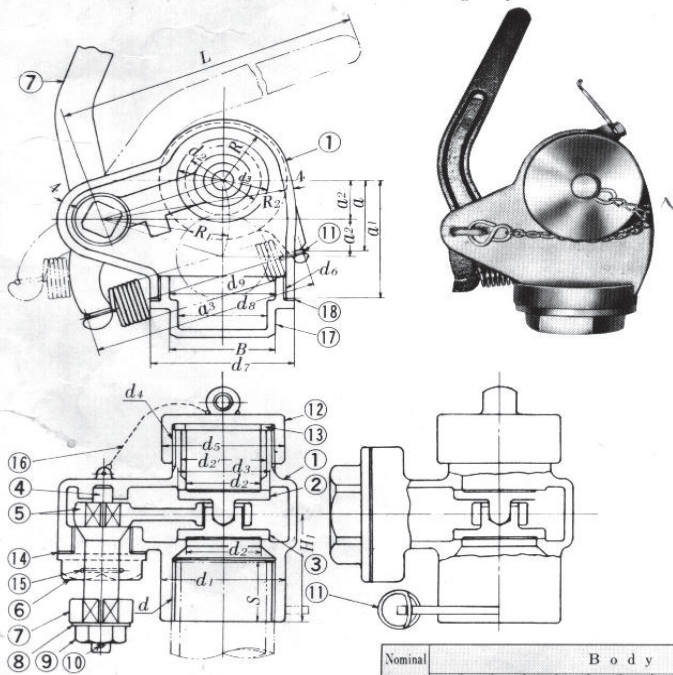


Hydraulic Inspection	Plug	2kgf /cm ²
	Body	3kgf/cm ²

No.	Item	Material
1	Body	Cast Bronze
2	Cock plug	
3	Cap	
4	Bonnet	
5	Arm	
6	Weighter	Cast Iron
7	Stop pin	Brass Bar
8	Set Bolt	Mild Steel
9	Chain	Brass wire
10	Split pin	Brass wire
11	Gasket	RUBBER
12	Set screw	Mild Steel

Nominal dia	Body										
	d	d1	S	H	H1	D	D1	R	L	L1	θ°
40	PF1½	PF1½	25	130	65	60	40	10	200	120	25°
50	PF 2	PF1½	30	135	70	70	40	14	200	120	25°
65	PF2½	PF1½	30	135	70	86	40	23	200	120	25°
80	PF 3	PF1½	35	145	80	100	40	35	200	120	25°

F3019 Self Closing Gate Valve Heads for Short Sounding Pipe



Hydraulic Inspection	Seat	2kgf/cm ²
	Body	3kgf/cm ²

No.	Item	Material
1	Body	BC6
2	Valve	
3	Valve	
4	Operation Spindle	C3771BD
5	Lever	BC6
6	Packing Case	
7	Handle	FC20
8	Washer	C2600P
9	Hexagon nut	C3604BD
10	Sprit pin	C2600W
11	Spring	C5101W
12	Cap	BC6
13	Gasket	RUBBER
14	Gasket	
15	Packing	
16	Chain	BsW1
17	Bonnet	BC6
18	Gasket	RUBBER

Nominal dia	Body														Bonnet					Screw		
	d1	d2	d3	d2	R	R1	R2	S	H	a	a1	a2	L	d5	a3	d7	d8	d9	B	d	d4	d6
40	58	35	43	40	27	60	87	30	54	35	60	19.5	180	58	109	68	42	50	50	PF1½	PF1½	M60 × 2
50	70					70	103	35	60	50										PF 2		
65	85	50	60		33			40	65	50	75	27.5	200	70	119	78	48	60	56	PF2½	PF 2	M70 × 2
80	100					75	108	45	75	60										PF 3		