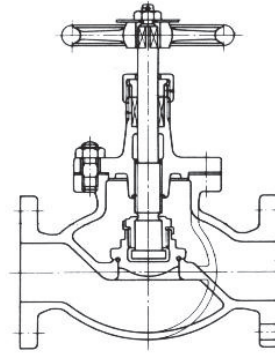
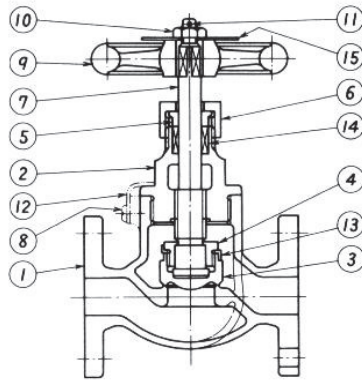


Marine Bronze 5kg/cm² Globe Valves

JIS F 7301

Marine Bronze 16kg/cm² Globe Valves

JIS F 7303



(5K-50A AND 65A)

DIMENSIONS

Unit : mm

RATING	SIZE	FACE TO FACE	FLANGE			HEIGHT	HANDLE DIA	WEIGHT (kg)
			DIA	PCD	BOLT HOLE			
5kgf/cm ² (F7301)	15	100	80	60	4-12	130	80	2.02
	20	110	85	65	4-12	140	100	2.86
	25	120	95	75	1-12	160	125	3.54
	32	140	115	90	4-15	170	125	5.00
	40	160	120	95	4-15	190	140	6.48
	50	210	130	105	4-15	235	140	11.70
16kgf/cm ² (F7303)	15	110	95	70	4-15	130	80	2.76
	20	120	100	75	4-15	140	100	3.72
	25	130	125	90	4-19	160	125	5.20
	32	160	135	100	4-19	170	125	6.91
	40	180	140	105	4-19	190	140	8.43

NO.	COMPONENT	MATERIAL
1	Body	Bronze
2	Bonnet	Bronze or Brass
3	Disc	Bronze or Brass
4	Valve disc nut	Brass
5	Packing gland	Brass
6	Gland nut	Brass
7	Stem	Brass
8	Set Screw	Brass
9	Handwheel	Cast Iron
10	Hexagon nut	Brass
11	Split pin	Brass
12	Lock plate	Brass
13	Disc lock washer	Brass
14	Packing	Teflon
15	Name plate	Brass & Al

Test Pressure (kgf/cm²)

RATING	5	16
SHEEL HYD' TEST	10.5	33
SEAT HYD' TEST	7.7	24.2

Fluid Condition & Max. Working Pressure (kgf/cm²)

FLUID CONDITION	RATING	5	16
STEAM UP TO 205°C	5	5	16
AIR, GAS, OIL AND PULSATION WATER			
NON SHOCK WATER	7	22	