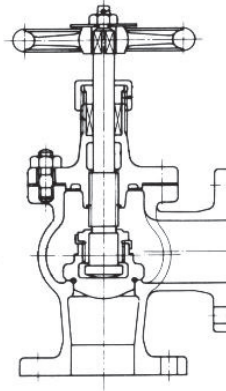
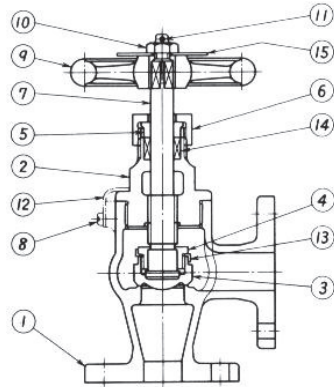


**Marine Bronze 5kg/cm<sup>2</sup> Angle Valves**

**JIS F 7302**

**Marine Bronze 16kg/cm<sup>2</sup> Angle Valves**

**JIS F 7304**



(5K - 50A AND 65A)

**DIMENSIONS**

Unit : mm

RATING	SIZE	FACE TO FACE	FLANGE			HEIGHT	HANDLE DIA	WEIGHT (kg)
			DIA	PCD	BOLT HOLE			
5kgf/cm <sup>2</sup> (F7302)	15	50	80	60	4-12	120	80	1.98
	20	60	85	65	4-12	130	100	2.73
	25	65	95	75	4-12	145	125	3.44
	32	80	115	90	4-15	150	125	4.77
	40	85	120	95	4-15	165	140	5.99
	50	100	130	105	4-15	200	140	10.10
16kgf/cm <sup>2</sup> (F7304)	15	70	95	70	4-15	120	80	2.73
	20	75	100	75	4-15	130	100	3.65
	25	85	125	90	4-19	145	125	5.16
	32	95	135	100	4-19	150	125	6.72
	40	100	140	105	4-19	165	140	8.13

NO.	COMPONENT	MATERIAL
1	Body	Bronze
2	Bonnet	Bronze or Brass
3	Disc	Bronze or Brass
4	Valve disc nut	Brass
5	Packing gland	Brass
6	Gland nut	Brass
7	Stem	Brass
8	Set Screw	Brass
9	Handwheel	Cast Iron
10	Hexagon nut	Brass
11	Split pin	Brass
12	Lock plate	Brass
13	Disc lock washer	Brass
14	Packing	Teflon
15	Name plate	Brass & Al

**Test Pressure (kgf/cm<sup>2</sup>)**

RATING	5	16
SHEEL HYD' TEST	10.5	33
SEAT HYD' TEST	7.7	24.2

**Fluid Condition & Max. Working Pressure (kgf/cm<sup>2</sup>)**

FLUID CONDITION	RATING	
	5	16
STEAM UP TO 205°C	5	16
AIR, GAS, OIL AND PULSATION WATER	5	16
NON SHOCK WATER	7	22