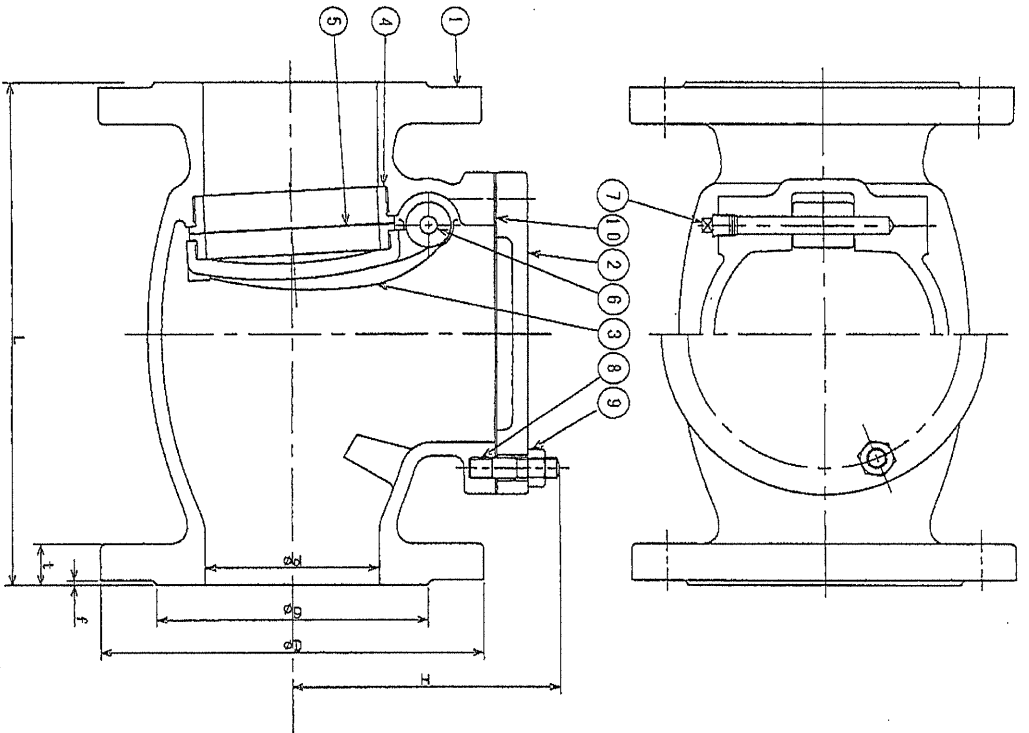


For Reference only



Nominal Size	FLANGE (BS EN1092-2 PN16)				(-)		0° 1°
	L	D	f	H	f	H	
50	203	165	99	3	20	110	10
65	218	185	118	3	20	120	10
80	241	200	132	3	22	135	40
100	292	220	156	3	24	155	
126	330	250	184	3	26	180	10
150	356	285	211	3	26	200	
200	495	340	266	3	30	230	
250	622	405	319	3	32	305	
300	698	460	370	4	32	355	

△	△	△
No.	DATE	ALTERATION
		ENGINEER

No.	NAME OF PARTS	MATERIAL	REQ.	REMARKS
10	Gasket	Non-asbestos	1	
9	Hexagon nut	Steel	~	
8	Stud bolt	Steel	~	
7	Plug	Steel	1	
6	Hinge pin	Brass	1	2874 CZ122
5	Disc seat ring	Gunnmetal	1	1400 P84
4	Body seat ring	Gunnmetal	1	1400 P84
3	Disc	Cast Iron	1	ENT581
2	Cover	Cast Iron	1	ENT581
1	Body	Cast Iron	1	ENT520

THIRD ANGLE PROJECTION		TEST PRESSURE	
DIMENSIONS	mm	SHELL	SEAT
		2.40 MPa	1.76 MPa

PN16-50~300		CAST IRON SWING CHECK VALVE	
Gunnmetal trial			
APPROVED	<i>O. Matsuda</i>	DATE	2014-04-03
CHECKED	<i>A. Kawai</i>	DWG. No.	NA-18228
DESIGNED	<i>A. Kawai</i>		
DRAWN	<i>A. Kawai</i>		

株式会社 製作所 SHOWA VALVE CO., LTD.