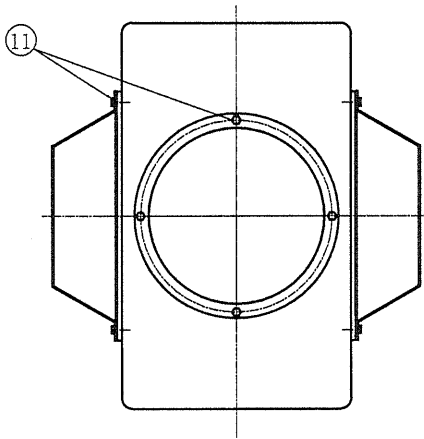
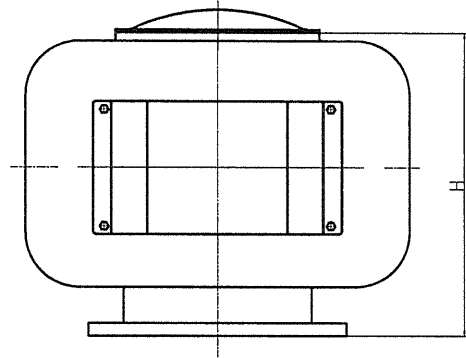
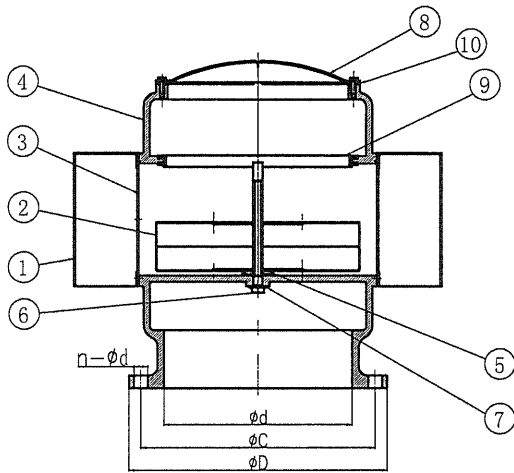


AIR VENT HEAD



DN	D	C	d	n- $\phi d$	H
100A	200	165	100	8- $\phi 19$	216
125A	235	200	125	8- $\phi 19$	216
150A	265	230	150	8- $\phi 19$	244
200A	320	280	200	8- $\phi 23$	280
250A	385	345	250	12- $\phi 23$	360
300A	430	390	300	12- $\phi 23$	425

11	HEX BOLT	12	SUS304	
10	ASBESTOS CUSHION	1	NBR	
9	RUBBER RING	1	NBR	
8	COVER	1	SS400 GALV	
7	CUSHION	1	SUS410	
6	GUIDE BOLT	1	SUS410	
5	RUBBER CUSHION	1	NBR	
4	BODY	1	HT200	
3	FILET	2	SUS304	
2	FLOAT	1	SUS304	
1	SCREEN COVER	2	SS400 GALV	
No.	NAME	Qty	MATERIALS	MARK

AIR VENT HEAD  
5K

JIS-KS91A-121  
5K