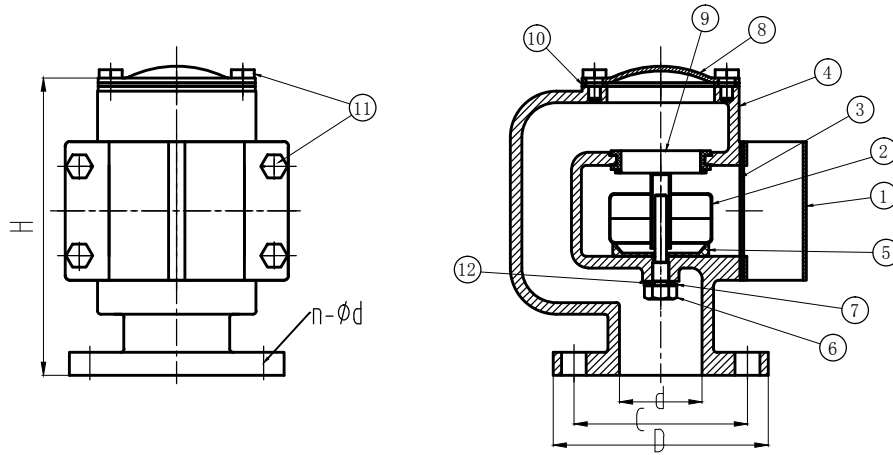


AIR VENT HEAD



	D	C	d	n-φd	H
50A	130	105	50	4-φ15	180
65A	155	130	65	4-φ15	209
80A	180	145	80	4-φ19	244

12	RUBBER CUSHION	1	RUBBER OIL PROOF	
11	BOLT	8	STAINLESS STEEL	
10	GASKET	1	RUBBER	
9	RUBBER RING	1	RUBBER OIL PROOF	
8	TOP COVER	1	Q235A	
7	WASHER	1	STAINLESS STEEL	
6	BOLT	1	STAINLESS STEEL	
5	RUBBER CUSHION	1	RUBBER OIL PROOF	
4	BODY	1	HT200	
3	FILTER	1	STAINLESS STEEL AND Q235A	
2	FLOAT	1	STAINLESS STEEL	
1	CLOSED COVER	1	Q235A	
NO	DESCRIPTION	QUANTITY	MATERIAL	REMARK

DESIGNED BY CHECKED BY APPROVED BY DATE		AIR VENT HEAD FOR WATER AND OIL CABIN ASSEMBLY		JIS AIR VENT HEAD			